

# COLUMBUS ELECTRIC

a division of TPI Corporation

## LINE VOLTAGE DEAD BAND THERMOSTAT – ET9 SERIES

### DESCRIPTION

The Columbus Electric wall mounted line voltage thermostat is suitable for direct connection with any resistance heating elements and unit heaters. This thermostat has a snap action switch operated by a bimetal actuator and is available in single pole, double pole with positive off, two stage heat. Cooling only and heat or cool models. Other options include a built in thermometer and/or 6 inch wire leads.



### INSTALLATION INSTRUCTIONS

Application: A vertical wall box is used for mounting thermostat 4 to 5 feet above the floor on an inside wall where the thermostat will be subject to average room temperature. It should be away from concealed warm or cold water pipes, warm or cold air ducts, drafts from hallways or stairways.

1. **▲ WARNING** Disconnect power from source.
2. Remove cover from old thermostat.
3. Remove old thermostat by removing two screws.
4. Disconnect supply wires from old thermostat.
5. New installation: remove cover by gently pulling away from thermostat.
6. Make connections per wiring diagram below using an approved connector (wire nut, crimp cap, or etc.).
7. Connect the ground wire to the terminal marked "GRD" or  $\overline{\text{T}}$
8. All wiring must conform to application code, ordinances and regulations in such matters as wire size, type of insulation and enclosure.
9. Dress wires into wall box and secure your new thermostat to the wall box with the screws provided.
10. Reinstall cover, select desired temperature and restore power.

### SPECIFICATIONS

#### ELECTRICAL RATING

22 A Resistive @ 125/250/277 Vac.  
3/4 HP @ 125 Vac.  
1-1/2 HP @ 250/277 Vac.

#### DIFFERENTIAL

HEAT APPROXIMATELY:..... 2°F  
COOLING APPROXIMATELY:..... 4°F

#### TEMPERATURE RANGE

SETTING RANGE.....50°F TO 90°F  
HEATING OR COOLING. 50°F TO 90°F

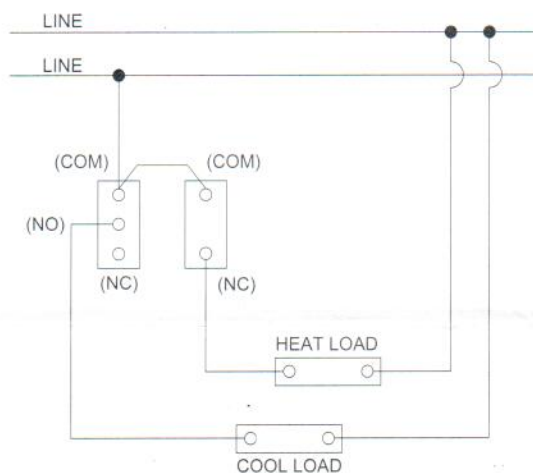
#### DIMENSIONS

4-3/4" ..... HEIGHT  
2-7/8" ..... WIDE  
2-7/8" ..... DEPTH

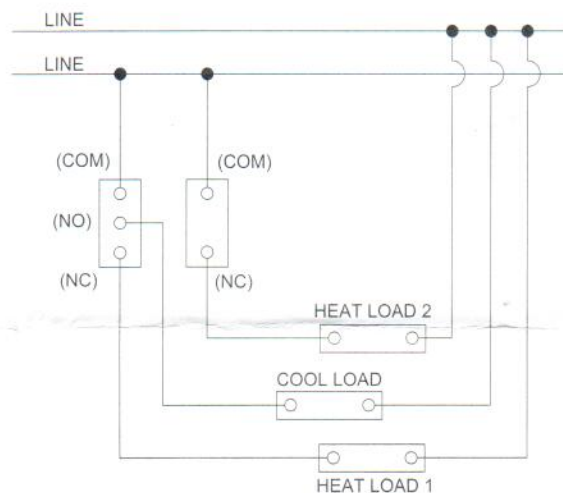
### ▲ WARNING

If this product is used to replace a device containing mercury, the purchaser or consumer must ensure that the mercury is properly managed to comply with state or federal regulations. The mercury must not become part of solid waste or waste water. Additional guidance may be obtained from the manufacturer of the product being removed, or by calling Columbus Electric Manufacturing Company Materials Manager.

### WIRING DIAGRAM



1 STAGE HEAT / 1 STAGE COOL  
WITH DEADBAND



2 STAGE HEAT / 1 STAGE COOL